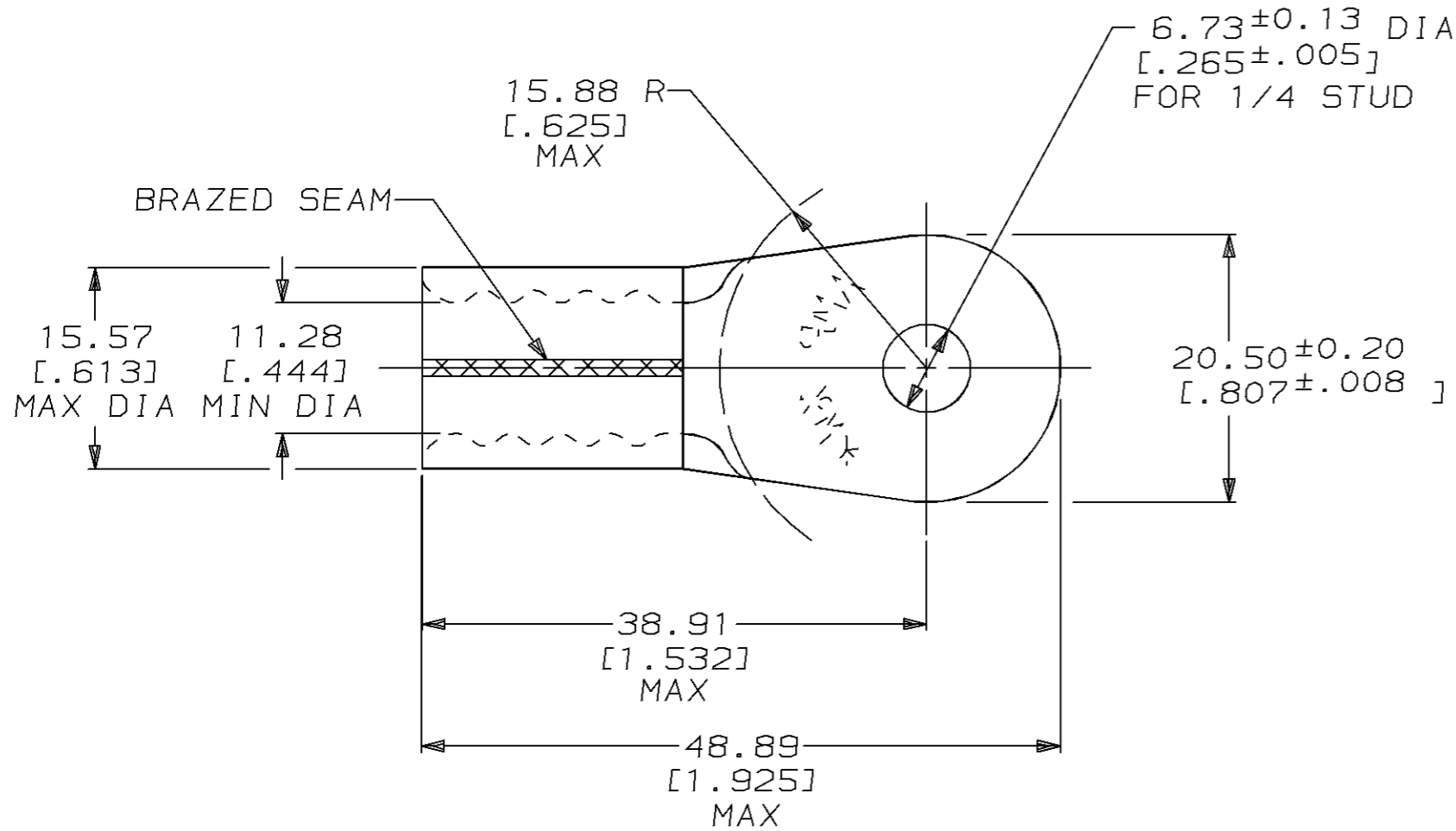


THIS DRAWING IS UNPUBLISHED. RELEASED FOR PUBLICATION ,19 .  
 © COPYRIGHT 19 BY AMP INCORPORATED. ALL RIGHTS RESERVED.

LOC	DIST	REVISIONS					
		P	LTR	DESCRIPTION	DATE	DWN	APVD
G	14		J	REVISED PER 0L20-0073-96	18FEB97	DKS	CHK

<b>AMP</b> WIRE RANGE	E13288 Listed
1/0 AWG SOLID OR STRANDED	1/0 AWG STRANDED
LR7189 Certified	MILITARY P/N AND CLASS
1/0 AWG SOLID OR STRANDED	MS 20659-117 CLASS 2



- ① STAMP AMP 1/0W\* APPROX AS SHOWN
- ② MATERIAL THK: 1.78 ± 0.08 [.070 ± .003]
- ③ TIN PL 0.00254 [.000100] MIN THK PER MIL-T-10727
- ④ GOLD PL 0.00127 [.000050] MIN THK PER MIL-G-45204 OVER NICKEL PL 0.00076 [.000030] MIN THK PER QQ-C-290

OBSOLETE	<del>④</del>	<del>2-321866-1</del>
	<del>③</del>	321866
FINISH		AMP PART NUMBER

# AMP INCORPORATED CUSTOMER SERVICE SYSTEMS

FOR ADDITIONAL PRODUCT INFORMATION OR COPIES OF DRAWINGS AND TECHNICAL DOCUMENTS	PRODUCT INFORMATION CENTER 1-800-522-6752
FOR APPLICATION TOOLING INFORMATION	TOOLING ASSISTANCE CENTER 1-800-722-1111
FOR ORDER ENTRY	1-800-526-5142

RECOMMENDED OPERATING TEMPERATURE: 170°C MAX
VOLTAGE RATING: NOT APPLICABLE
WIRE CROSS SECTIONAL AREA RANGE: 42.4-60.6mm <sup>2</sup> [83,700-119,500] CIR MILS SOLID OR STRANDED

THIS DRAWING IS A CONTROLLED DOCUMENT FOR AMP INCORPORATED. IT IS SUBJECT TO CHANGE AND THE CONTROLLING ENGINEERING ORGANIZATION SHOULD BE CONTACTED FOR THE LATEST REVISION.	
DIMENSIONS: mm [INCHES]	TOLERANCES UNLESS OTHERWISE SPECIFIED:
	0 PLC ±-
	1 PLC ±-
	2 PLC ±0.20 [.008]
	3 PLC ±-
	4 PLC ±-
	ANGLES ±-
MATERIAL COPPER PER ASTM B-152 ANNEALED	FINISH SEE TABLE

DWN DK SCHRUM	18FEB97
CHK DM SWARTZ	25FEB97
APVD JL MECKLEY	25FEB97
PRODUCT SPEC	-
APPLICATION SPEC	-
WEIGHT	-
CUSTOMER DRAWING	

<b>AMP</b> AMP Incorporated Harrisburg, PA 17105-3608		
NAME TERMINAL, RING TONGUE, SOLISTRAND™		
SIZE A3	CAGE CODE 00779	DRAWING NO C-321866
SCALE 2:1	SHEET 1 OF 1	REV J